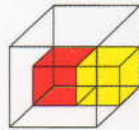


*Guaranteed
Lowest price*



2 0 0 8



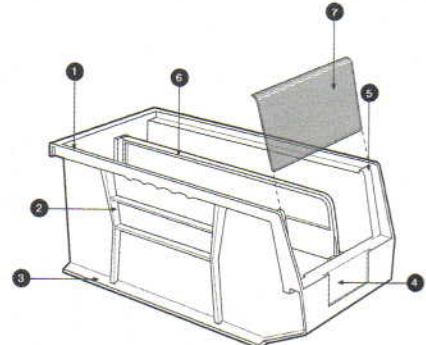
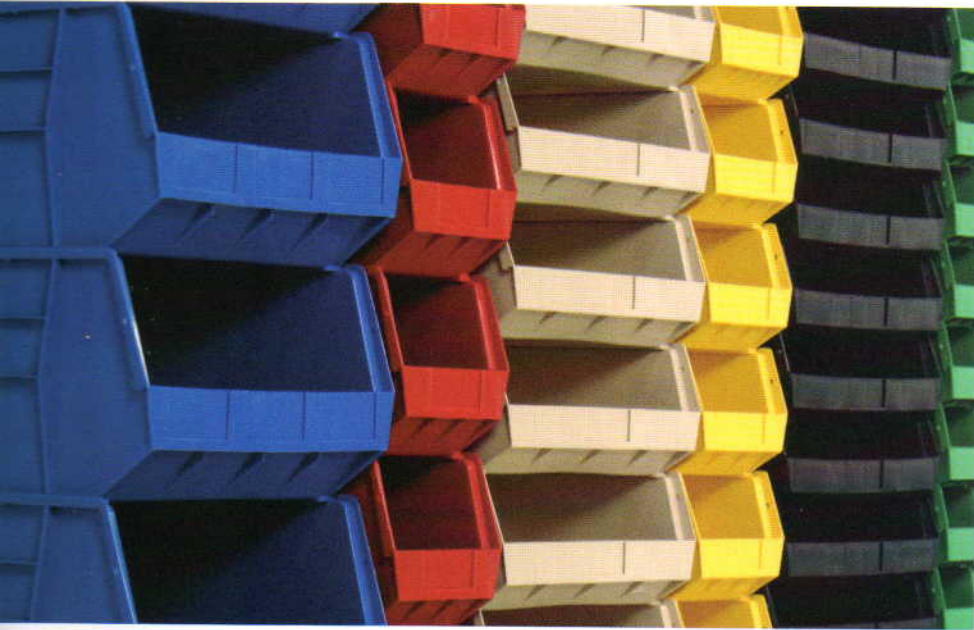
QUANTUM™
STORAGE
SYSTEMS

CATALOG

Fastest
Shipping
IN THE INDUSTRY



Ultra Stack and Hang Bins



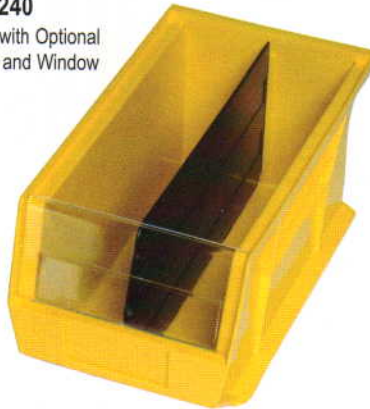
1. Full width hanger supports bin when hanging from louvered panels or rails
2. Reinforced rib design adds strength and prevents spreading
3. Extra-wide stacking ledge for secure stacking
4. Large front label slot allows larger bar code scanning and content identification
5. Anti-slide stop prevents stacked bins from shifting forward
6. Optional dividers increase storage options
7. Optional windows maximize storage capacity, prevent spillage and protects parts from dust and dirt

PERFORMANCE FEATURES AT A GLANCE:

- Available in 20 sizes
- Standard colors: Blue, Yellow, Red, Green, Ivory and Black (additional colors available on request, subject to upcharge and minimum runs)
- Bins are made from heavy duty, virgin, high density FDA approved polypropylene
- Large multiple label slots provide easy label insertion and parts identification
- Extra wide stacking ledge assures stability for high stacking
- Reinforced design adds strength and prevents spreading
- Will not rust or corrode, unaffected by weak acids and alkalis, and are waterproof
- Autoclavable up to 250°F
- Interchangeable with other manufactured brands of bins

QUS 240

shown with Optional Divider and Window



QUS 233

can be used with either length or cross divider



QUS275MOB Mobile Ultra Bin

- Ideal for transport of heavy and bulky parts
- Bin comes with 4 swivel, 3" casters, all of which have brakes, allowing for up to 250 lb. mobile load capacity



DLY-3018
(bin sold separately)

Plastic Dollies

DLY-3018 Dolly with Padded Rubber Ledge, available in Blue. 1,000 lbs. capacity. Interior Dimensions 24"L x 16-3/4"W Exterior Dimensions 30"L x 18"W

MODEL NO.	DESCRIPTION	CTN WGT
DLY-3018	Dolly with Padded Rubber Ledge	16 lbs.

Bins sold separately.

